

# W SERIES SELECTION CHART

## 64 Popular Single-Output Models<sup>1</sup>

Output <sup>2</sup> Voltage Range	Output Current (Amps)	Size (See Dwg.)	Weight <sup>3</sup> (Lbs.)	Weight <sup>3</sup> (Kgs.)	Model Number	Output <sup>2</sup> Voltage Range	Output Current (Amps)	Size (See Dwg.)	Weight <sup>3</sup> (Lbs.)	Weight <sup>3</sup> (Kgs.)	Model Number
4.5-5.5	2.5	2E	1.9	0.9	W5D2.5	27-29	1.2	2E	1.9	0.9	W28D1.2
	5.0	4D	2.7	1.2	W5D5.0		2.5	4D	2.7	1.2	W28D2.5
	10.0	10B	5.1	2.3	W5D10		5.0	10B	5.1	2.3	W28D5.0
	15.0	14C	8.9	4.1	W5D15		10.0	14C	8.9	4.1	W28D10
	20.0	14C	8.9	4.1	W5D20						
5.5-6.5	2.5	2E	1.9	0.9	W6D2.5	29-31	0.6	2E	1.9	0.9	W30D0.6
	5.0	4D	2.7	1.2	W6D5.0		1.2	4D	2.7	1.2	W30D1.2
	10.0	10B	5.1	2.3	W6D10		2.5	10B	5.1	2.3	W30D2.5
	15.0	14C	8.9	4.1	W6D15		5.0	14C	8.9	4.1	W30D5.0
	20.0	14C	8.9	4.1	W6D20		10.0	14C	8.9	4.1	W30D10
9.5-10.5	2.5	2E	1.9	0.9	W10D2.5	35-37	0.6	2E	1.9	0.9	W36D0.6
	5.0	4D	2.7	1.2	W10D5.0		1.2	4D	2.7	1.2	W36D1.2
	10.0	10B	5.1	2.3	W10D10		2.5	10B	5.1	2.3	W36D2.5
	15.0	14C	8.9	4.1	W10D15		5.0	14C	8.9	4.1	W36D5.0
	20.0	14C	8.9	4.1	W10D20						
11-13	2.5	2E	1.9	0.9	W12D2.5	39-41	0.6	2E	1.9	0.9	W40D0.6
	5.0	4D	2.7	1.2	W12D5.0		1.2	4D	2.7	1.2	W40D1.2
	10.0	10B	5.1	2.3	W12D10		2.5	10B	5.1	2.3	W40D2.5
	15.0	14C	8.9	4.1	W12D15		5.0	14C	8.9	4.1	W40D5.0
	20.0	14C	8.9	4.1	W12D20						
14-16	1.2	2E	1.9	0.9	W15D1.2	47-49	0.6	2E	1.9	0.9	W48D0.6
	2.5	4D	2.7	1.2	W15D2.5		1.2	4D	2.7	1.2	W48D1.2
	5.0	10B	5.1	2.3	W15D5.0		2.5	10B	5.1	2.3	W48D2.5
	10.0	14C	8.9	4.1	W15D10		5.0	14C	8.9	4.1	W48D5.0
	15.0	14C	8.9	4.1	W15D15						
19-21	1.2	2E	1.9	0.9	W20D1.2	70-80	0.3	2E	1.9	0.9	W75D0.3
	2.5	4D	2.7	1.2	W20D2.5		0.6	4D	2.7	1.2	W75D0.6
	5.0	10B	5.1	2.3	W20D5.0		1.2	10B	5.1	2.3	W75D1.2
	10.0	14C	8.9	4.1	W20D10						
23-25	1.2	2E	1.9	0.9	W24D1.2	90-100	0.3	2E	1.9	0.9	W95D0.3
	2.5	4D	2.7	1.2	W24D2.5		0.6	4D	2.7	1.2	W95D0.6
	5.0	10B	5.1	2.3	W24D5.0		1.2	10B	5.1	2.3	W95D1.2
	10.0	14C	8.9	4.1	W24D10						
25-27	1.2	2E	1.9	0.9	W26D1.2						
	2.5	4D	2.7	1.2	W26D2.5						
	5.0	10B	5.1	2.3	W26D5.0						
	10.0	14C	8.9	4.1	W26D10						

1. 75 other standard W Models are available with single outputs ranging continuously from 5 to 100 V dc and in power levels of approximately 12, 25, 50, 75 and 100 watts. Maximum output current levels are: 0.3, 0.6, 1.2, 2.5, 5.0, 10.0, 15.0 and 20.0 amps. To order an unlisted model,

consult salesman for nearest standard output voltage, and use model numbering system below.

2. Output voltage of single output models is continuously adjustable between the limits shown by means of an externally accessible screwdriver adjustment potentiometer. Adjustment resolution is 35

millivolts for output voltages 5 to 16 V dc, 60 millivolts for outputs 18 to 50 V dc and 90 millivolts for outputs 55 to 95 V dc.

3. Maximum weight, not including options.

## Model Numbering System

Product Line Series	Output Voltage Nominal	Header Type	Options	Output Current Maximum Load
W	9	D		10

# W SERIES SELECTION CHART

**70 Popular  
Dual-Output  
Models<sup>1</sup>**

Output <sup>2</sup> Voltage Range	Output Current (Amps)	Size (See Dwg.)	Weight <sup>3</sup> (Lbs.)	Weight <sup>3</sup> (Kgs.)	Model Number	Output <sup>2</sup> Voltage Range	Output Current (Amps)	Size (See Dwg.)	Weight <sup>3</sup> (Lbs.)	Weight <sup>3</sup> (Kgs.)	Model Number
±2.75- ±3.75	0.3	8B	1.9	0.9	WW3D0.3	±15- ±17	0.3	9C	2.2	1.0	WW16D0.3
	0.5	9C	2.2	1.0	WW3D0.5		0.5	9C	2.2	1.0	WW16D0.5
	1.0	9C	2.2	1.0	WW3D1.0		1.0	9D	3.1	1.4	WW16D1.0
	2.0	9D	3.1	1.4	WW3D2.0		2.0	11D	5.5	2.5	WW16D2.0
	4.0	11D	5.5	2.5	WW3D4.0		4.0	14C	8.0	3.6	WW16D4.0
±3.75- ±4.25	0.3	8B	1.9	0.9	WW4D0.3	±17- ±19	0.3	9C	2.2	1.0	WW18D0.3
	0.5	9C	2.2	1.0	WW4D0.5		0.5	9C	2.2	1.0	WW18D0.5
	1.0	9C	2.2	1.0	WW4D1.0		1.0	9D	3.1	1.4	WW18D1.0
	2.0	9D	3.1	1.4	WW4D2.0		2.0	11D	5.5	2.5	WW18D2.0
	4.0	11D	5.5	2.5	WW4D4.0		4.0	14C	8.0	3.6	WW18D4.0
±4.5- ±5.5	0.3	8B	1.9	0.9	WW5D0.3	±19- ±21	0.3	9C	2.2	1.0	WW20D0.3
	0.5	9C	2.2	1.0	WW5D0.5		0.5	9C	2.2	1.0	WW20D0.5
	1.0	9C	2.2	1.0	WW5D1.0		1.0	9D	3.1	1.4	WW20D1.0
	2.0	9D	3.1	1.4	WW5D2.0		2.0	11D	5.5	2.5	WW20D2.0
	4.0	11D	5.5	2.5	WW5D4.0		4.0	14C	8.0	3.6	WW20D4.0
±7.5- ±8.5	0.3	8B	1.9	0.9	WW8D0.3	±21- ±23	0.3	9C	2.2	1.0	WW22D0.3
	0.5	9C	2.2	1.0	WW8D0.5		0.5	9C	2.2	1.0	WW22D0.5
	1.0	9C	2.2	1.0	WW8D1.0		1.0	9D	3.1	1.4	WW22D1.0
	2.0	9D	3.1	1.4	WW8D2.0		2.0	11D	5.5	2.5	WW22D2.0
	4.0	11D	5.5	2.5	WW8D4.0		4.0	14C	8.0	3.6	WW22D4.0
±9.5- ±10.5	0.3	8B	1.9	0.9	WW10D0.3	±23- ±25	0.3	9C	2.2	1.0	WW24D0.3
	0.5	9C	2.2	1.0	WW10D0.5		0.5	9C	2.2	1.0	WW24D0.5
	1.0	9C	2.2	1.0	WW10D1.0		1.0	9D	3.1	1.4	WW24D1.0
	2.0	9D	3.1	1.4	WW10D2.0		2.0	11D	5.5	2.5	WW24D2.0
	4.0	11D	5.5	2.5	WW10D4.0		4.0	14C	8.0	3.6	WW24D4.0
±11- ±13	0.3	8B	1.9	0.9	WW12D0.3	±27- ±29	0.3	9C	2.2	1.0	WW28D0.3
	0.5	9C	2.2	1.0	WW12D0.5		0.5	9C	2.2	1.0	WW28D0.5
	1.0	9C	2.2	1.0	WW12D1.0		1.0	9D	3.1	1.4	WW28D1.0
	2.0	9D	3.1	1.4	WW12D2.0		2.0	11D	5.5	2.5	WW28D2.0
	4.0	11D	5.5	2.5	WW12D4.0		4.0	14C	8.0	3.6	WW28D4.0
±14- ±16	0.3	8B	1.9	0.9	WW15D0.3	±29- ±31	0.3	9C	2.2	1.0	WW30D0.3
	0.5	9C	2.2	1.0	WW15D0.5		0.5	9C	2.2	1.0	WW30D0.5
	1.0	9C	2.2	1.0	WW15D1.0		1.0	9D	3.1	1.4	WW30D1.0
	2.0	9D	3.1	1.4	WW15D2.0		2.0	11D	5.5	2.5	WW30D2.0
	4.0	11D	5.5	2.5	WW15D4.0		4.0	14C	8.0	3.6	WW30D4.0

**1. 40 other standard WW Models are available with dual outputs ranging continuously from ±3 V dc to ±30 V dc and maximum output current levels per side of: 0.3, 0.5, 1.0, 2.0 and 4.0 amps. To order, consult salesman.**

2. Output voltage of dual output models is continuously adjustable between the limits shown by means of an externally accessible screwdriver adjustment potentiometer. Adjustment resolution is 25 millivolts for output voltages ±3 to

±4.5 V dc, 35 millivolts for outputs ±5 to ±15, and 60 millivolts for outputs ±16 to ±30 V dc.

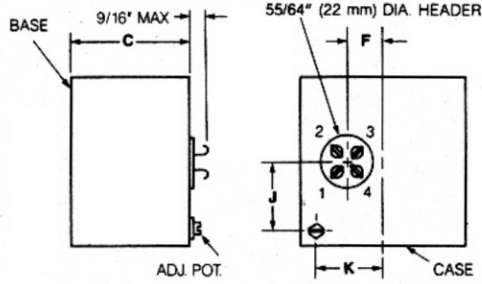
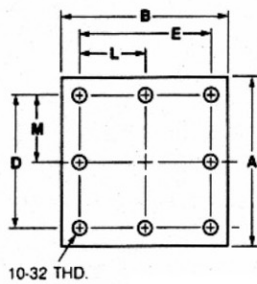
3. Maximum weight, not including options.

**Model Numbering  
System**

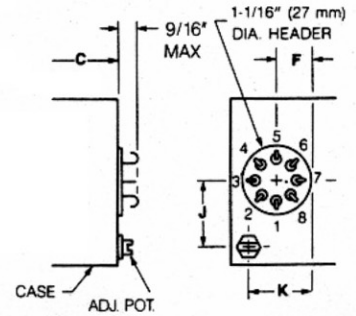
Product Line Series	Output Voltage Nominal	Header Type	Options	Output Current Maximum Load
WW	9	D		10

## Case Drawings

### Single-Output



### Dual-Output



## Dimensions

Inches  
mm

Case Size	A	B	C	D	E	F	J	K	L	M
2E	2-1/8 54	3-1/4 83	3-1/4 83	1.62 41.2	2.75 69.9	28/32 22	13/16 21	1-3/8 35		
4D	2-1/2 64	3-1/2 89	3-1/2 89	2.00 50.8	3.00 76.2	0 0	1 25	1-1/2 38		
8B	2-5/8 67	3-1/2 89	2-7/8 73	2.12 53.9	3.00 76.2	3/4 19	1-1/16 27	1-1/2 38		
9C	2-1/2 64	4-3/8 111	3-1/8 79	2.00 50.8	3.87 98.3	1 25	1 25	1-15/16 49		
9D	2-5/8 67	4-3/4 121	3-5/8 92	2.12 53.9	4.25 108.0	1 25	1-1/16 27	2-1/8 54		
10B	2-7/8 73	4-1/4 108	4-3/8 111	2.37 60.2	3.75 95.3	1-3/8 35	1-3/16 30	1-7/8 48		
11D	4 102	4-7/8 124	3-7/8 98	3.50 88.9	4.37 111.1	1-3/8 35	1-3/4 44	2-3/16 56		
14C	5-1/2 140	5-1/2 140	3-5/8 92	5.00 127.0	5.00 127.0	1-7/8 48	2-1/2 64	2-1/2 64	2.50 63.5	2.50 63.5

**Tolerances:** If English unit is a fraction,  $\pm 1/32$  inch, (0.8 mm); if English unit is a decimal,  $\pm .015$  inch, (0.4 mm).

**Material:** Base — Aluminum 6061-T6, Case — Steel

**Finish:** Black flat lacquer per FED-STD-595, Color 37038.

**Mounting:** 10-32 THD inserts 5/32" minimum depth are provided in baseplate.

Metric hardware and inserts available as a special order.

## Pin Designations

(Standard model, not including options. Consult factory for details.)

### Standard W (4-Pin Header)

1. AC Input
2. AC Input
3. +Output
4. -Output

### Standard WW (8-Pin Header\*)

- |  |   |
|--|---|
| <ol style="list-style-type: none"> <li>1. AC Input</li> <li>2. AC Input</li> <li>3. +Output</li> <li>4. Common Output</li> </ol> | <ol style="list-style-type: none"> <li>5. -Output</li> <li>6. Not Used</li> <li>7. Not Used</li> <li>8. Not Used</li> </ol> |
|--|---|

\*1-1/16" (27 mm) diameter