

Series S

Options

The following standard options are available on the S Series inverters. Please refer to option section of this catalog for detailed information.

Special Connectors:

A military-type hermetically sealed connector is provided as **Option A** in place of our standard header to extend out the top surface, or as **Option C** extending out the mounting surface. (To order, replace "D" in model number with "A" or "C," i.e., S05A-27A-400 or S05C-27A-400.)

Alternate Header Location:

The standard multiple pin header is relocated to the bottom (baseplate) surface with **Option B**. (To order, replace "D" in model number with "B," i.e., S05B-27A-400.)

Severe Shock, Acceleration and Vibration:

Special encapsulation, **Option E**, enables all units to withstand 60 g's shock, 50 g's acceleration and 30 g's vibration. (To order, add "E" after "D" in model number, i.e., S05DE-27A-400.)

Wide Input Voltage:

Option H recenters the input voltage to provide alternate inputs from 20 V dc to 32 V dc. See page 81 for output current derating. (To order, add "H" after "D" in model number and add new input voltage range in parentheses after model number, i.e., S05DH-27A-400 (24-32).)

Remote Output Adjustment:

With **Option R**, an adjustment potentiometer can be remotely located to adjust the output voltage. (To order, add "R" after "D" in model number, i.e., S05DR-27A-400.)

48 Standard Models

Output Frequency (Hertz)	Output Voltage Range	Output Amps (Resistive Load)	Output Amps (Resistive Load) Surge ²	Output Amps (Resistive Load) Continuous	Harmonic Distortions (%)	Size (See Dwg.)	Weight ³ (Lbs.)	Weight ³ (Kgs.)	Model Number
400	25.4-28.6	0.259	0.185	2.0	4	1.6	0.7		S05D-27A-400
		0.518	0.370	2.5	4C	1.7	0.8		S1D-27A-400
		1.036	0.740	2.5	4B	2.3	1.0		S2D-27A-400
		1.850	1.110	2.5	6A	2.4	1.1		S3D-27A-400
		3.700	2.220	3.0	12	4.8	2.2		S6D-27A-400
		6.800	4.440	4.0	14	9.1	4.1		S12D-27A-400
		400	108-122	0.060	0.043	2.0	4	1.6	0.7
0.120	0.086			2.5	4C	1.7	0.8		S1D-115A-400
0.241	0.172			2.5	4B	2.3	1.0		S2D-115A-400
0.435	0.261			2.5	6A	2.4	1.1		S3D-115A-400
0.870	0.522			3.0	12	4.8	2.2		S6D-115A-400
1.740	1.044			4.0	14	9.1	4.1		S12D-115A-400
800	25.4-28.6			0.259	0.185	2.0	4	1.6	0.7
		0.518	0.370	2.5	4C	1.7	0.8		S1D-27A-800
		1.036	0.740	2.5	4B	2.3	1.0		S2D-27A-800
		1.850	1.110	2.5	6A	2.4	1.1		S3D-27A-800
		3.700	2.220	3.0	12	4.8	2.2		S6D-27A-800
		6.800	4.440	4.0	14	9.1	4.1		S12D-27A-800
		800	108-122	0.060	0.043	2.0	4	1.6	0.7
0.120	0.086			2.5	4C	1.7	0.8		S1D-115A-800
0.241	0.172			2.5	4B	2.3	1.0		S2D-115A-800
0.435	0.261			2.5	6A	2.4	1.1		S3D-115A-800
0.870	0.522			3.0	12	4.8	2.2		S6D-115A-800
1.740	1.044			4.0	14	9.1	4.1		S12D-115A-800

Series S

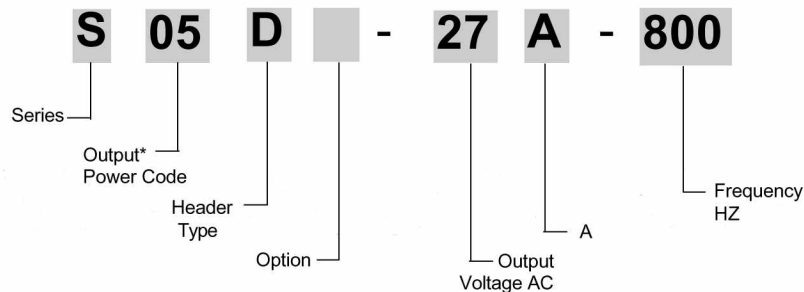
Output Frequency (Hertz)	Output Voltage Range	Output Amps (Resistive Load) Surge ²	Output Amps (Resistive Load) Continuous	Harmonic Distortions (%)	Size (See Dwg.)	Weight ³ (Lbs.)	Weight ³ (Kgs.)	Model Number
1200	25.4-28.6	0.259	0.185	2.0	4	1.6	0.7	S05D-27A-1200
		0.518	0.370	2.5	4C	1.7	0.8	S1D-27A-1200
		1.036	0.740	2.5	4B	2.3	1.0	S2D-27A-1200
		1.850	1.110	2.5	6A	2.4	1.1	S3D-27A-1200
		3.700	2.220	3.0	12	4.8	2.2	S6D-27A-1200
		6.800	4.440	4.0	14	9.1	4.1	S12D-27A-1200
1200	108-122	0.060	0.043	2.0	4	1.6	0.7	S05D-115A-1200
		0.120	0.086	2.5	4C	1.7	0.8	S1D-115A-1200
		0.241	0.172	2.5	4B	2.3	1.0	S2D-115A-1200
		0.435	0.261	2.5	6A	2.4	1.1	S3D-115A-1200
		0.870	0.522	3.0	12	4.8	2.2	S6D-115A-1200
		1.740	1.044	4.0	14	9.1	4.1	S12D-115A-1200
1600	25.4-28.6	0.259	0.185	2.0	4	1.6	0.7	S05D-27A-1600
		0.518	0.370	2.5	4C	1.7	0.8	S1D-27A-1600
		1.036	0.740	2.5	4B	2.3	1.0	S2D-27A-1600
		1.850	1.110	2.5	6A	2.4	1.1	S3D-27A-1600
		3.700	2.220	3.0	12	4.8	2.2	S6D-27A-1600
		6.800	4.440	4.0	14	9.1	4.1	S12D-27A-1600
1600	108-122	0.060	0.043	2.0	4	1.6	0.7	S05D-115A-1600
		0.120	0.086	2.5	4C	1.7	0.8	S1D-115A-1600
		0.241	0.172	2.5	4B	2.3	1.0	S2D-115A-1600
		0.435	0.261	2.5	6A	2.4	1.1	S3D-115A-1600
		0.870	0.522	3.0	12	4.8	2.2	S6D-115A-1600
		1.740	1.044	4.0	14	9.1	4.1	S12D-115A-1600

1. Output voltage is continuously adjustable between the limits shown by means of an externally accessible screwdriver adjustment potentiometer.

2. Units can supply this surge current for one minute at 21°C baseplate temperature or two seconds at 100°C baseplate temperature.

3. Maximum weight, not including options.

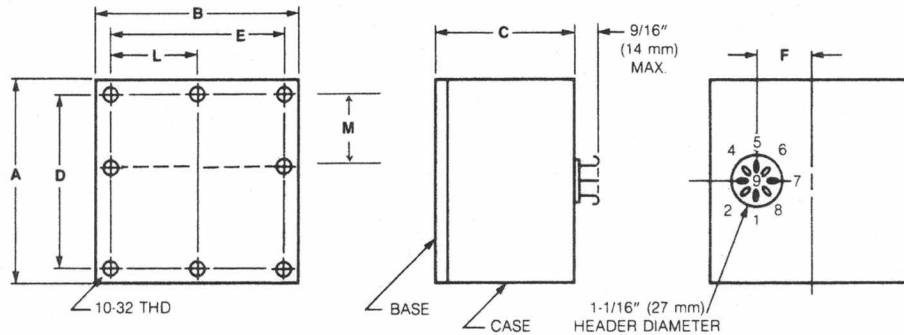
Model Numbering System



*Code	Output Power	*Code	Output Power	*Code	Output Power
05	5 Watts	2	20 Watts	6	60 Watts
1	10 Watts	3	30 Watts		

Series S

Case Drawings



Dimensions Inches mm	CASE SIZE	A	B	C	D	E	F	J	L	M
		4	2-1/4 57	2-3/4 70	3-1/4 83	1.75 44.5	2.25 57.2	3/4 19	7/8 22	
	4B	2-1/2 64	3 76	3-3/4 95	2.00 50.8	2.50 63.5	3/4 19	1 25.4		
	4C	2-1/4 57	2-3/4 70	3-1/2 89	1.75 44.5	2.25 57.2	3/4 19	7/8 22		
	6A	2-3/4 70	3 76	4 102	2.25 57.2	2.50 63.5	3/4 19	1-1/8 29		
	12	3 76	5-1/2 140	4 102	2.50 63.5	5.00 127	2-1/8 54	1-1/4 32	2.50 63.5	
	14	6 152.4	6 152.4	4 101.6	5.50 139.7	5.50 139.7	2-3/8 60.5	2-3/4 35	2.75 69.9	2.75 69.9

Tolerances: If English unit is a fraction, $\pm 1/32$ inch, (0.8 mm); if English unit is a decimal, ± 0.015 inch, (0.4 mm).

Material: Base - Aluminum 6061-T6,
Case - Steel

Finish: Black flat lacquer per FED-STD- 595, color 37038.

Mounting: 10-32 THD inserts 5/32" min. depth are provided in baseplate.

Metric hardware and inserts available as a special order.

Pin Designations

(Standard model, not including options. Consult factory for details.)

Standard S (4-Pin Header)

1. + Input (DC)
2. - Input (DC)
3. AC Output
4. AC Output

S with Options (8-Pin Header*)

1. + Input (DC)
2. - Input (DC)
3. AC Output
4. AC Output

5. Options
6. Options
7. Options
8. Options

Input Current

(Typical)
Amps

Load
50%
100%

Model S05
0.33A
0.5A

Model S1
0.59A
0.79A

Model S2
1.2A
1.8A

Model S3
1.5A
2.5A

Model S6
2.6A
4.8A